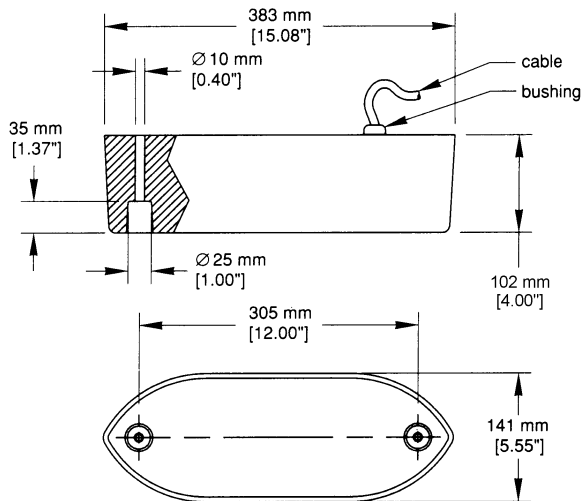




The KEL771 is a dual frequency transducer with conical beam patterns and minimal sidelobes to provide excellent bottom detail. Fairing vertically orients sound beams for stronger return echos resulting in optimal performance. Great for shallow and deep water surveys.



- broadband 200kHz element for use with frequency agile systems
- dual channel configuration which allows both frequencies to be operated independently or simultaneously
- easy hull mounted installation with supplied rods and hardware or over-the-side with an optional mounting bracket

KEL771 28/200kHz Specifications				
Frequency - Piezoceramic Designator	28kHz - E	200kHz - BFlq	Acoustic Window	Urethane
Element Configuration (not to scale)			Cable Type	C44-three shielded twisted pair (2-18AWG and one 2-22AWG) with foil and braided shield, black TPR jacket, 11mm (7/16") diameter
Beamwidth at -3dB	29°	5°	Cable Length	15M
Q	9	2	Weight	7.8 kg
Rated RMS Power	1kW	2kW		
Figure of Merit (Insertion Loss), dB	-14	-16	Impedance	60 ohms (both channels)