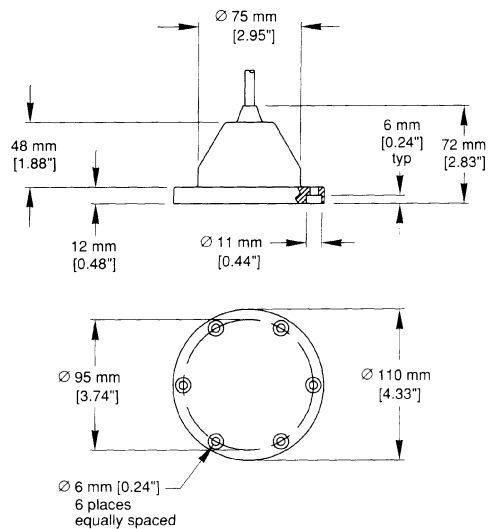
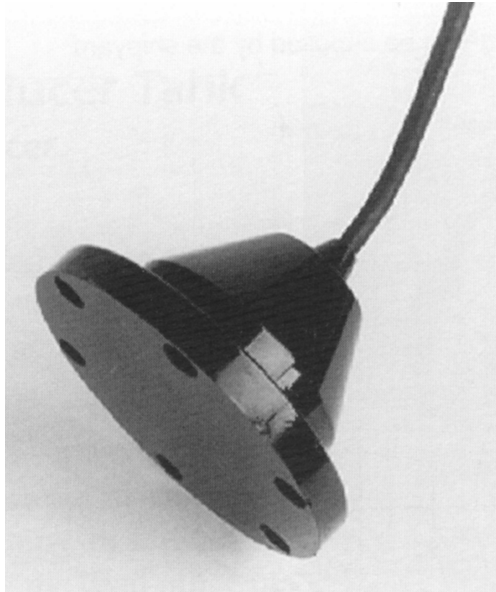



The KEL491 is a broadband 200kHz transducer with a Q of 2.0 and very good sensitivity. This enables users to perform accurate surveys in shallow water with higher resolution. This transducer can also be chirped with a longer pulse over a wide frequency band. Users with frequency agile Sounder 1600 and Chirp 3200 Series echosounders will be able to regulate the operating frequency and tailor the beam width to specific survey conditions.



- applications include river, harbor, and estuary survey
- versatile housing can be mounted in tank, in a towed body, or over-the-side with an optional mounting adapter

KEL491 200kHz Specifications			
Frequency - Piezoceramic Designator	200kHz - BCLQ	Acoustic Window	Urethane
Element Configuration (not to scale)		Cable Type	C33-shielded twisted pair (2-20AWG) with braided shield, black neoprene jacket, 6mm (17/64") diameter
Beamwidth at -3dB	9°	Cable Length	10M
Q	2.0	Weight	1.5 kg
Rated RMS Power	500W	Duty Cycle	2%
Figure of Merit (Insertion Loss), dB	-16	Impedance	60 ohms