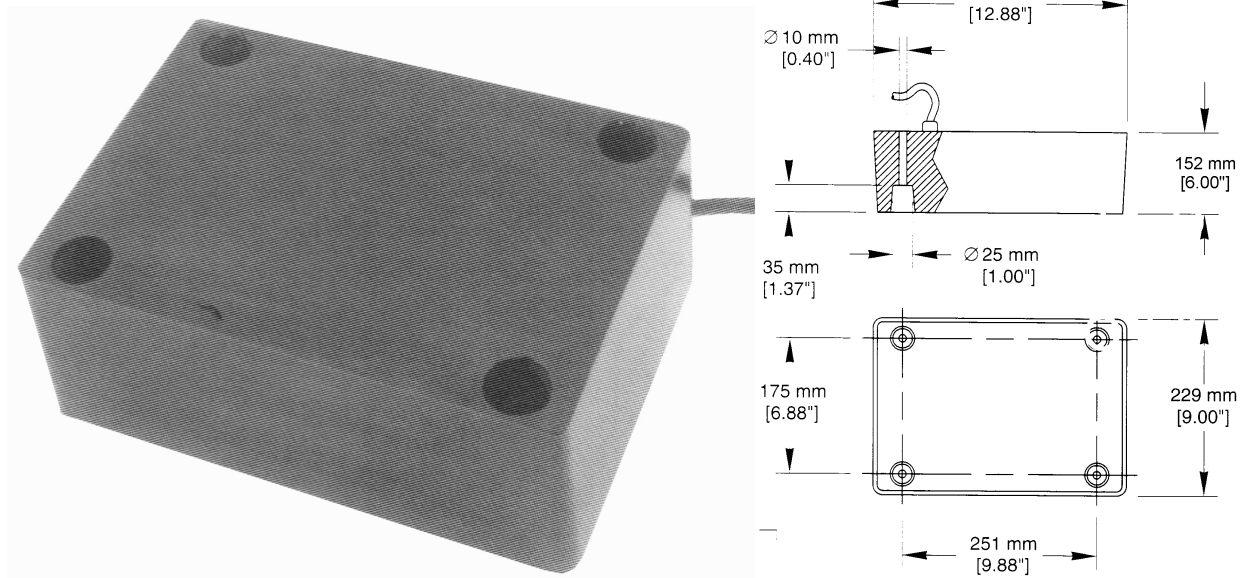
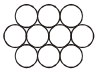
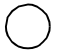


The KEL571 12kHz channel features highly efficient, very sensitive low frequency arrays for excellent bottom definition in deep water. The additional 200kHz broadband channel has a low Q and very good sensitivity to perform accurate surveys.



- dual channel configuration which allows both frequencies to be operated independently or simultaneously
- easy hull mounted installation with supplied rods and hardware or over-the-side with an optional mounting bracket

KEL571 12/200kHz Specifications				
Frequency - Piezoceramic Designator	12kHz - C	200kHz - B CLQ	Acoustic Window	Urethane
Element Configuration (not to scale)			Cable Type	C43-shielded twisted pair (2-14AWG) with braided shield, black neoprene jacket, 10mm (13/32") diameter
Beamwidth at -3dB	26° x 38°	8°	Cable Length	15M
Q	5	2.3	Weight	20 kg
Rated RMS Power	3kW	500W	Chassis	Internal Stainless Steel
Figure of Merit (Insertion Loss), dB	-13	-16	Impedance	60 ohms (both channels)