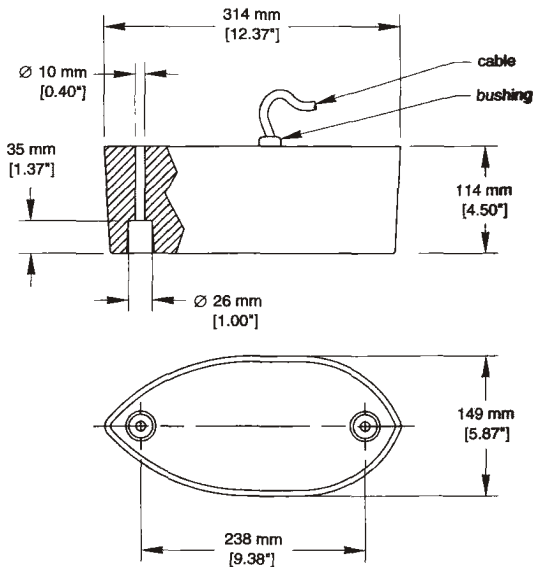




The KEL361 is a dual frequency transducer with conical beam patterns and minimal sidelobes to provide accurate depth measurement in both shallow and deep water. Narrow beams and low sidelobes provide clear bottom detail. Great for shallow and deep water surveys.



- broadband 200kHz element for use with frequency agile systems
- dual channel configuration which allows both frequencies to be operated independently or simultaneously
- easy hull mounted installation with supplied rods and hardware or over-the-side with an optional mounting bracket

KEL361 33/200kHz Specifications				
Frequency - Piezoceramic Designator	33kHz - LIq	200kHz - BC1q	Acoustic Window	Urethane
Element Configuration (not to scale)			Cable Type	C44-three shielded twisted pair (2-18AWG and one 2-22AWG) with foil and braided shield, black TPR jacket, 11mm (7/16") diameter
Beamwidth at -3dB	19°	8°	Cable Length	15M
Q	7	2.3	Weight	8.5 kg
Rated RMS Power	1kW	500W		
Figure of Merit (Insertion Loss), dB	-13	-16	Impedance	60 ohms (both channels)