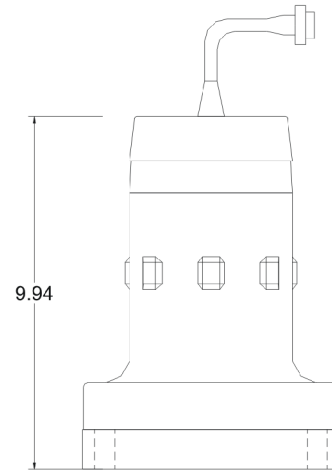
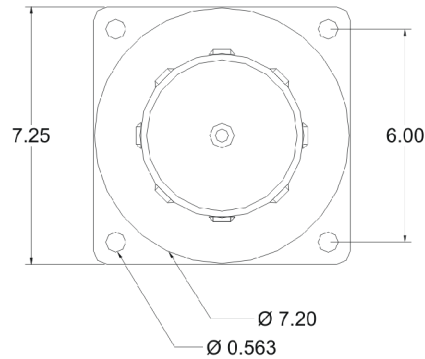


The KELA5701 transducer is a rugged high-power under water transducer ideal for use in bottom mapping and sub-bottom profiling applications.



All dimensions are in inches

- ! module design to be easily assembled into arrays
- ! terminated with reliable Massa C1F2 underwater connector. Extension cables with mating C1M2 can be purchased separately

<b>KELA5701 3.5kHz Specifications</b>	
Operating Frequency (nominal)	4 kHz
Power Rating	600W @ 30% Duty Cycle 200W CW
Source Level / Watt	+74 dB vs. 1 ubar @ 1 yd
Transmitting Voltage Response	+54 dB vs. 1 ubar @ 1 yd
Transmitting Current Response	+94 dB vs. 1 ubar @ 1 yd
Receiving Sensitivity	-72 dB vs. 1 ubar @ 1 yd
Nominal Impedance	100 Ohms
Directivity (total angle)	80° conical @ -3db
Maximum Operating Depth	600M
Weight	11.3 kg