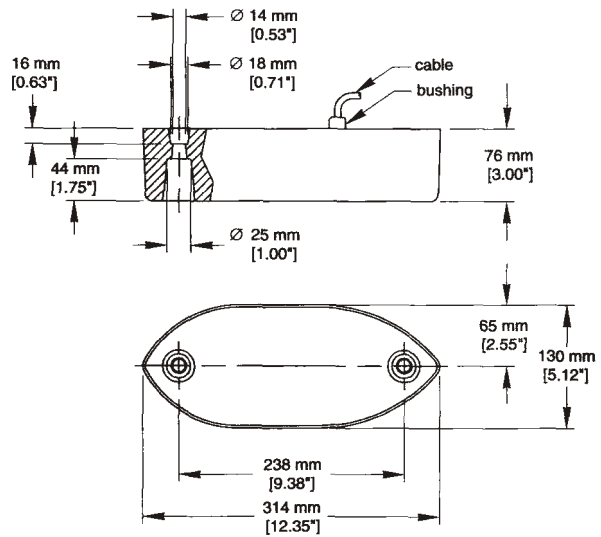
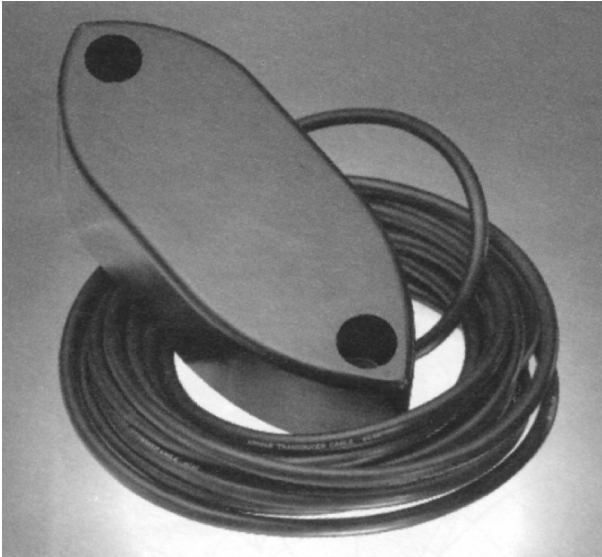




The KEL551 is a dual frequency transducer with conical beam patterns and minimal sidelobes to provide accurate depth measurement in both shallow and deep water. The low ringing 50Khz array allows users to see bottom structure clearly.



- ! dual channel configuration which allows both frequencies to be operated independently or simultaneously
- ! streamline shape minimizes drag
- ! easy hull mounted installation with supplied rods and hardware or over-the-side with an optional mounting bracket

KEL551 50/200kHz Specifications				
Frequency - Piezoceramic Designator	50kHz - LIq	200kHz - AWIq	Acoustic Window	Epoxy
Element Configuration (not to scale)			Cable Type	C44-three shielded twisted pair (2-18AWG and one 2-22AWG) with foil and braided shield, black TPR jacket, 11mm (7/16") diameter
Beamwidth at -3dB	16°	7°	Cable Length	15M
Q	5	10	Weight	5.5 kg
Rated RMS Power	1kW	1kW		
Figure of Merit (Insertion Loss), dB	-12	-15	Impedance	60 ohms (both channels)