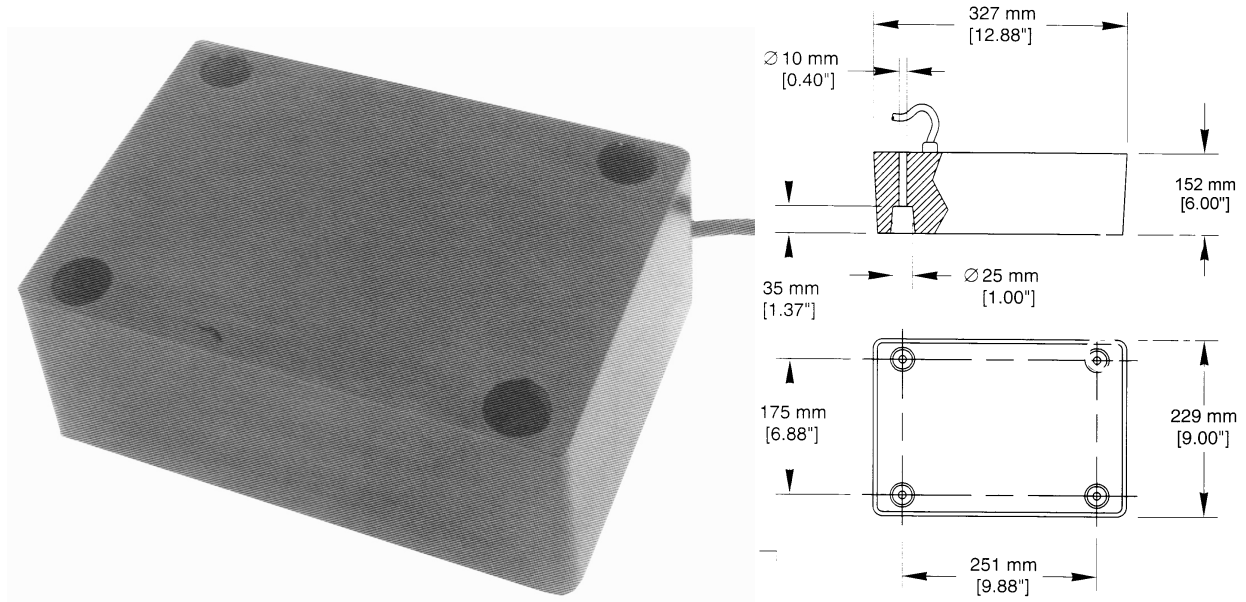
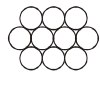


The KEL571 features highly efficient, very sensitive low frequency arrays for excellent bottom definition in deep water.



- great for deep water surveys
- easy installation with supplied rods and hardware
- can be hull mounted externally or over-the-side with an optional mounting bracket

KEL571 12kHz Specifications			
Frequency - Piezoceramic Designator	12kHz - C	Acoustic Window	Urethane
Element Configuration (not to scale)		Cable Type	C43-shielded twisted pair (2-14AWG) with braided shield, black neoprene jacket, 10mm (13/32") diameter
Beamwidth at -3dB	26° x 38°	Cable Length	15M
Q	5	Weight	20 kg
Rated RMS Power	3kW	Chassis	Internal Stainless Steel
Figure of Merit (Insertion Loss), dB	-13	Impedance	60 ohms